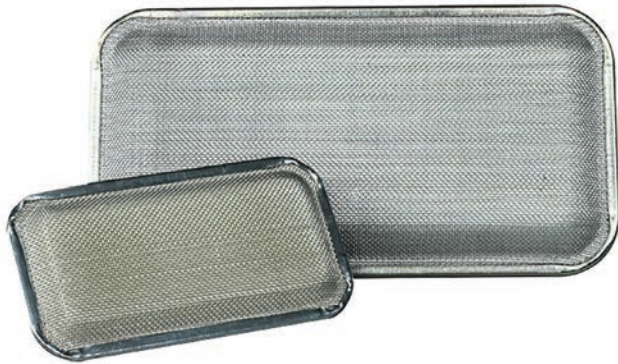


DESCRIPTION The Bin-Flo® aerator is a simple and efficient means of introducing low pressure air into any dry finely ground material. The air is equally distributed in controlled quantities to give the material the ability to flow by gravity from bins, hoppers or chutes. Bin-Flo® aerators incorporate non-clogging diffusers, an integral orifice and construction features which assure long, maintenance-free life.



FEATURES AND BENEFITS

Simple Installation

- Can be installed from inside or outside the bin

Integral Orifice

- Controls air consumption at any recommended pressure

Non-clogging Diffuser

- Provides equal distribution of air and will not clog when air is on even with the finest materials

CHOOSE MODEL NUMBER

Diffuser	Diffuser Supported By	Body	Model Number	
			'L' Series 3¾" x 7½"	'LL' Series 6" x 12"
Cotton (Canvas)	Galvanized Steel 16 Mesh	Zinc Plated Steel	L LBF900000	LL LLF900000
	Stainless Steel Mesh Type 316	Stainless Steel	L-SS LBF900002	LL-SS LLF900002
Fiberglass	Galvanized Steel 16 Mesh	Zinc Plated Steel	L-FG LBF900001	LL-FG LLF900001
	Stainless Steel Mesh Type 316	Stainless Steel	L-SS-FG LBF900003	LL-SS-FG LLF900003

ORDER QUANTITY PER ROW

"L" Series Mounted On:		"LL" Series Mounted On:		
12" Centers (30.5 cm)	15" Centers (38 cm)	20" Centers (51 cm)	24" Centers (61 cm)	Aerators to order for One Row
1' 8" 50.8 cm	1' 11" 58.42 cm	2' 8" 81.28 cm	3' 0" 91.44 cm	2
2' 8" 81.28 cm	3' 2" 96.52 cm	4' 4" 132.08 cm	5' 0" 152.4 cm	3
3' 8" 111.76 cm	4' 5" 134.62	6' 0" 182.88 cm	7' 0" 213.36 cm	4
4' 8" 142.24 cm	5' 8" 172.72 cm	7' 8" 233.68 cm	9' 0" 274.32 cm	5
5' 8" 172.72 cm	6' 11" 210.82 cm	9' 4" 284.48 cm	11' 0" 335.28 cm	6
6' 8" 203.2 cm	8' 2" 248.92 cm	11' 0" 335.28 cm	13' 0" 396.24 cm	7
7' 8" 233.68 cm	9' 5" 287.02 cm	12' 8" 366.08	15' 0" 457.2 cm	8
8' 8" 264.16 cm	10' 8" 325.12	14' 4" 436.88	17' 0" 518.16 cm	9
9' 8" 294.64 cm	11' 11" 363.22 cm	16' 0" 487.68 cm	19' 0" 579.12 cm	10

Measure the length of the sloping side of the hopper where the aerators are to be installed. Select the series to be used (L or LL) and the spacing of the units. Read down the column until the approximate length of the slope is reached.

SPECIFICATIONS

Tank Nipple and Locknut:

"L" Series - 1/8" (3 mm) brass

"LL" Series - 1/4" (6 mm) plated steel

Spacer Washers

Nickel plated steel

Diffuser

Up to 180° F (82° C) cotton (canvas)

Up to 600° F (316° C) fiberglass

Diffuser Frame

Galvanized steel 16 mesh or stainless steel mesh
type 316

Body

Zinc plated steel or stainless steel

Shipping Weight

"L" Series - .75 lb ea

"LL" Series - 1.75 lb ea

"LL" Series has a diffusion area approximately 2½ times that of "L" Series. When installed in larger bins, it will reduce the number of aerators and the amount of piping required.

AIR SUPPLY

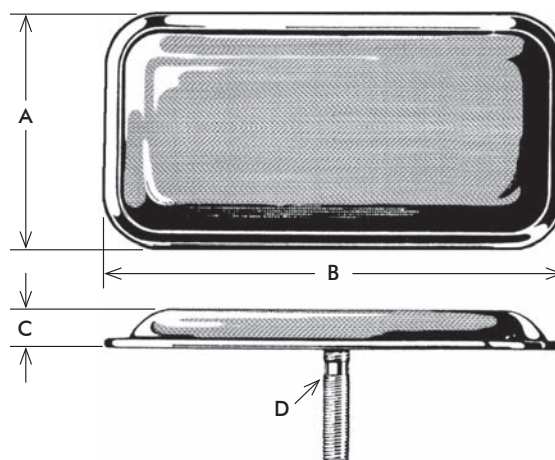
- The best and usually the most economical air supply is from a positive displacement low pressure blower. For test applications or applications involving less than 30 CFM, compressors may be used with a pressure reducing regulator and filter or moisture trap on the low pressure side. The table at right, shows the volume of air one Bin-Flo® aerator (uncovered) will use at various operating pressures.

IMPORTANT NOTE

- A continuous air supply must be maintained at all times to ensure proper operation of the Bin-Flo® aerator. Lack of air supply will cause material build up on the aerator and result in damage to the Bin-Flo® aerator.

DIMENSIONS

	L Series	LL Series
A	3¾" (95.25 mm)	6" (152.39 mm)
B	7½" (190.5 mm)	12" (304.8 mm)
C	7/16" (11.09 mm)	11/16" (17.46 mm)
D	1/8" Pipe x 2" Long OD = 0.405 (10.29mm x 50.8mm)	1/4" Pipe x 2" Long OD = 0.540 (13.72mm x 50.8mm)



AIR CONSUMPTION PER AERATOR IN CUBIC FEET PER MINUTE

Air Pressure PSIG	L Series	LL Series
.5	2.7	6.0
1	4.2	7.5
1.5	5.0	9.1
2	5.7	10.4
2.5	6.1	11.7
*3	6.5	12.7
3.5	6.9	13.8
4	7.1	14.7
4.5	7.4	15.6
5	7.6	16.4

Note: 3 PSIG is recommended and used on most applications. 15 PSIG is maximum pressure.



Order from: **C A Briggs Company**
622 Mary Street; Suite 101; Warminster, PA 18974
Phone: 267-673-8117 - Fax: 267-673-8118
Sales@cabriggs.com - www.cabriggs.com

venture
MEASUREMENT

LBF980004 Rev. F

2012 All rights reserved.

All data subject to change without notice.